



MESA
Rev 1.0
ME
23/02/2017

Department of Mechanical Engineering
Consultancy Projects

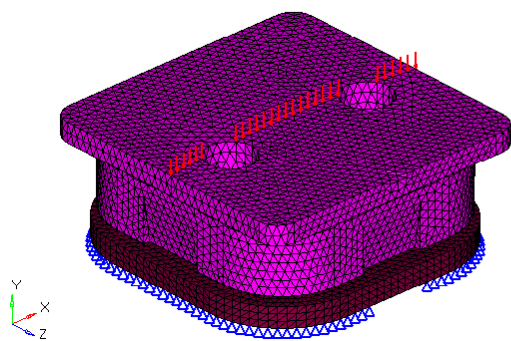
Department of Mechanical Engineering, VCET, Puttur is looking out for any consultancy work in the field of Finite Element Analysis / Computer Aided Drawing to serve the requirement of Mechanical engineering industries.

We undertake the projects which include

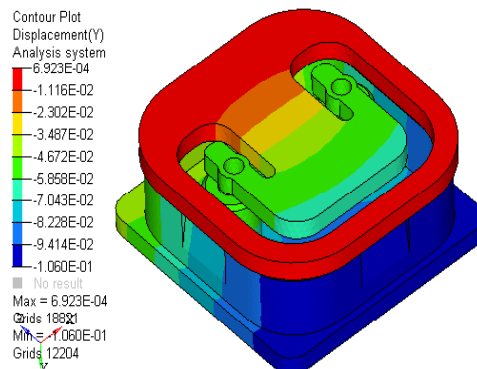
- 3D CAD modeling,
- 2D/3D Meshing,
- Static and Dynamic Analysis,
- Detailed report preparation and
- Interpretation of the results with conclusion as per the requirement of the industry.

Recently we worked on a project from Supram Industries, Bengaluru, to analyze the best design of load cell system used in weighing machine. We did finite element analysis on load cell of different geometrical design and concluded the best design by analyzing displacements and stress distribution at the maximum loading condition. The customer was happy with the result and finalized the design to proceed further for the production.

Load cell: Meshed Model



Contour Plot - Displacement



Pictures of Consultancy project done for Supram Industries Bangalore.

For any kind of above mentioned projects Contact: Mr. Deepak Shetty, Asst Professor, Mechanical Department, Mobile:9449615566, Email Id:deepakkumarshetty.mech@vcetputtur.ac.in

Yours sincerely,

Prof. Udayashankar
HOD,
Dept. of Mechanical Engineering
VCET, Puttur, D.K
Mobile:9740840480
Email id :hod.mech@vcetputtur.ac.in

Dr. M.S.Govinde Gowda
Principal
VCET, Puttur,D.K